

THE PROPERTY OF THIS DRAWING IS ESTABLISHED BY LAW  
IT IS FORBIDDEN TO REPRODUCE IT OR SHOW IT TO THIRD PARTY  
WITHOUT A WRITTEN AGREEMENT.

MODIFICATIONS:

7	10
8	11
9	12

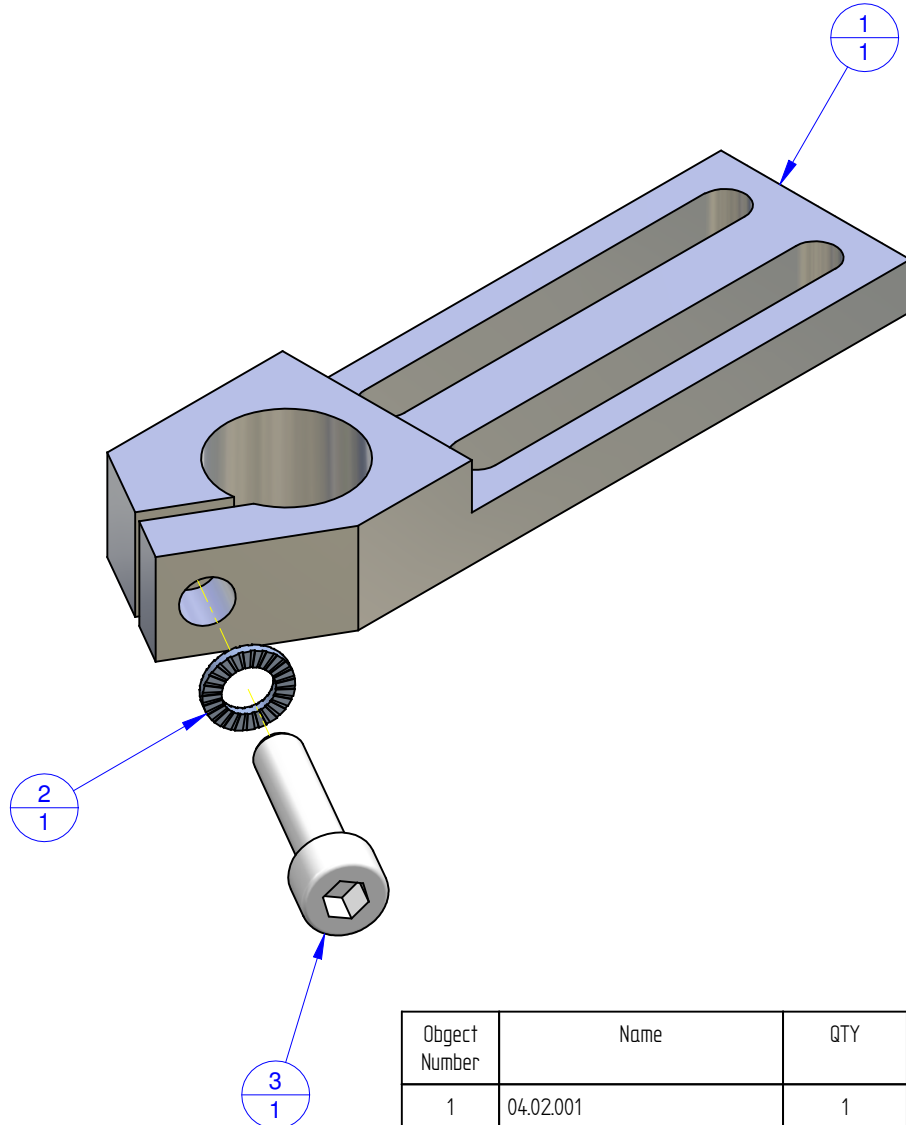
VARIED DIMENSIONS AS OF DATE:

MODIFICATIONS:

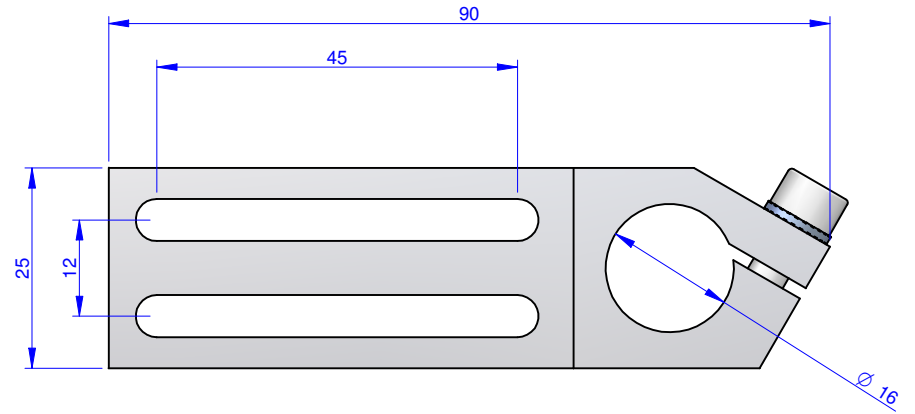
1	4
2	5
3	6

VARIED DIMENSIONS AS OF DATE:

Format **A3**  
UNI 936-76



Object Number	Name	QTY
1	04.02.001	1
2	R.5.SCH	1
3	V.TCE5X20	1



<b>FP Services</b>		DESIGNED FROM FPSERVICES	
GENERAL TOLERANCE: UNI - ISO 2768 CLASSE f		DATE 12/2013	WEIGHT 0,034 kg
DESCRIPTION		CODE <b>CA.04.02.001</b>	

